

## Specifications

Current rating: 1A AC,DC  
Voltage rating: 200V AC,DC  
Temperature range: -25°C ~ +85°C  
Contact resistance: 20mΩ Max.  
Insulation resistance: 500MΩ Min.  
Withstanding voltage: 500V AC/minute  
\*Contact H.R for details\*

## Ordering code

① F1258 ② WV ③ 05P

- ① Series No.
- ② Connector type: WV=Vertical
- ③ No. of circuits

① F1258 ② WR ③ A ④ 05P ⑤ T

- ① Series No.
- ② Connector type: WR=Right angle
- ③ Blank=Normal type  
A=A type
- ④ No. of circuits
- ⑤ Option code:  
T=Top contact style



# F1258 SERIES

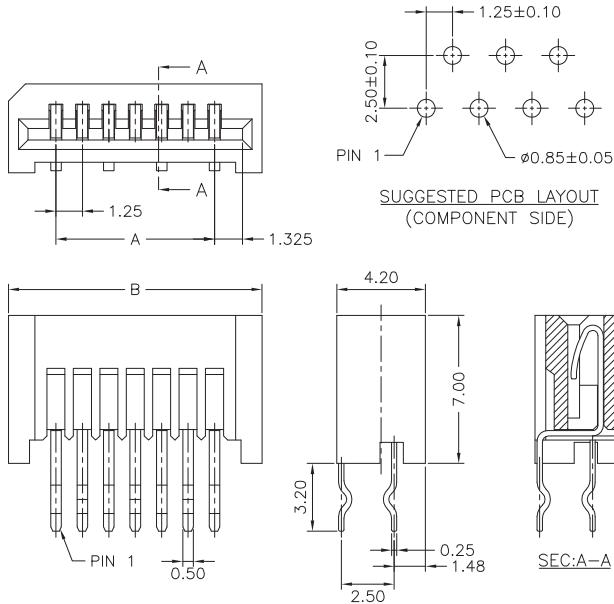
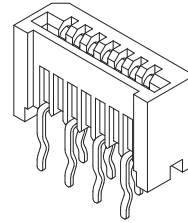
1.25mm pitch FFC/FPC connector

## F1258WV

1.25mm pitch FFC/FPC 180° Connector, NON-ZIF

### Reference Informations:

\*Material: Pin: Phosphor Bronze/Tin-plated  
Wafer: Nylon 9T,UL94V-0



### Ordering Information & Dimensions:

PART NO.	Dimensions		PART NO.	Dimensions	
	A	B		A	B
F1258WV-04P	3.75	8.25	F1258WV-20P	23.75	28.25
F1258WV-05P	5.00	9.50	F1258WV-21P	25.00	29.50
F1258WV-06P	6.25	10.75	F1258WV-22P	26.25	30.75
F1258WV-07P	7.50	12.00	F1258WV-23P	27.50	32.00
F1258WV-08P	8.75	13.25	F1258WV-24P	28.75	33.25
F1258WV-09P	10.00	14.50	F1258WV-25P	30.00	34.50
F1258WV-10P	11.25	15.75	F1258WV-26P	31.25	35.75
F1258WV-11P	12.50	17.00	F1258WV-27P	32.50	37.00
F1258WV-12P	13.75	18.25	F1258WV-28P	33.75	38.25
F1258WV-13P	15.00	19.50	F1258WV-29P	35.00	39.50
F1258WV-14P	16.25	20.75	F1258WV-30P	36.25	40.75
F1258WV-15P	17.50	22.00	F1258WV-31P	37.50	42.00
F1258WV-16P	18.75	23.25	F1258WV-32P	38.75	43.25
F1258WV-17P	20.00	24.50	F1258WV-33P	40.00	44.50
F1258WV-18P	21.25	25.75	F1258WV-34P	41.25	45.75
F1258WV-19P	22.50	27.00			

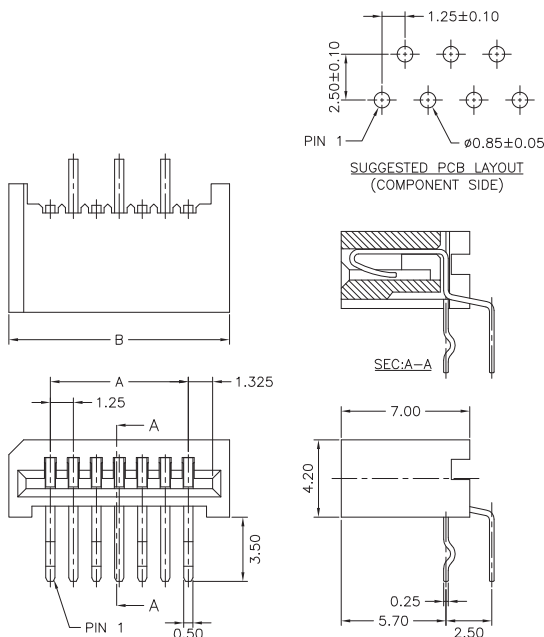
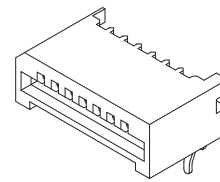
Unit:mm

## F1258WR

1.25mm pitch FFC/FPC 90° Connector, NON-ZIF, Top Contact Style

### Reference Informations:

\*Material: Pin: Phosphor Bronze/Tin-plated  
Wafer: Nylon 9T,UL94V-0



### Ordering Information & Dimensions:

PART NO.	Dimensions		PART NO.	Dimensions	
	A	B		A	B
F1258WR-04PT	3.75	8.25	F1258WR-20PT	23.75	28.25
F1258WR-05PT	5.00	9.50	F1258WR-21PT	25.00	29.50
F1258WR-06PT	6.25	10.75	F1258WR-22PT	26.25	30.75
F1258WR-07PT	7.50	12.00	F1258WR-23PT	27.50	32.00
F1258WR-08PT	8.75	13.25	F1258WR-24PT	28.75	33.25
F1258WR-09PT	10.00	14.50	F1258WR-25PT	30.00	34.50
F1258WR-10PT	11.25	15.75	F1258WR-26PT	31.25	35.75
F1258WR-11PT	12.50	17.00	F1258WR-27PT	32.50	37.00
F1258WR-12PT	13.75	18.25	F1258WR-28PT	33.75	38.25
F1258WR-13PT	15.00	19.50	F1258WR-29PT	35.00	39.50
F1258WR-14PT	16.25	20.75	F1258WR-30PT	36.25	40.75
F1258WR-15PT	17.50	22.00	F1258WR-31PT	37.50	42.00
F1258WR-16PT	18.75	23.25	F1258WR-32PT	38.75	43.25
F1258WR-17PT	20.00	24.50	F1258WR-33PT	40.00	44.50
F1258WR-18PT	21.25	25.75	F1258WR-34PT	41.25	45.75
F1258WR-19PT	22.50	27.00			

Unit:mm



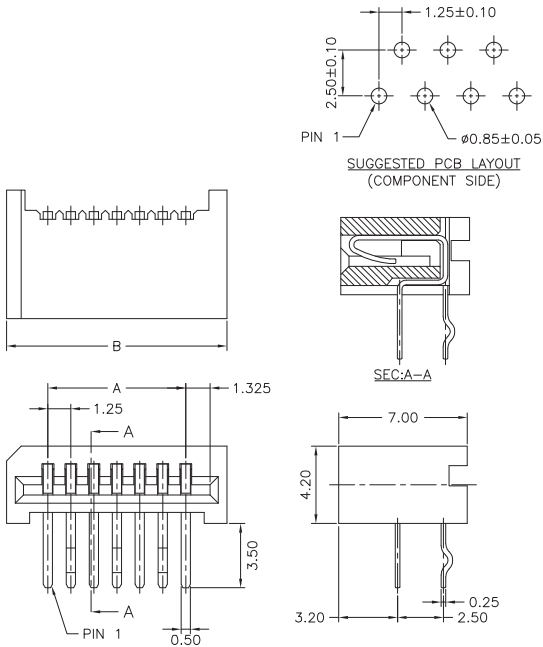
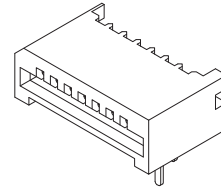


# F1258WRA

1.25mm pitch FFC/FPC 90° Connector, NON-ZIF, \_\_\_\_\_  
Top Contact Style

### Reference Informations:

\*Material: Pin: Phosphor Bronze/Tin-plated  
Wafer: Nylon 9T,UL94V-0



### Ordering Information & Dimensions:

PART NO.	Dimensions		PART NO.	Dimensions	
	A	B		A	B
F1258WRA-04PT	3.75	8.25	F1258WRA-20PT	23.75	28.25
F1258WRA-05PT	5.00	9.50	F1258WRA-21PT	25.00	29.50
F1258WRA-06PT	6.25	10.75	F1258WRA-22PT	26.25	30.75
F1258WRA-07PT	7.50	12.00	F1258WRA-23PT	27.50	32.00
F1258WRA-08PT	8.75	13.25	F1258WRA-24PT	28.75	33.25
F1258WRA-09PT	10.00	14.50	F1258WRA-25PT	30.00	34.50
F1258WRA-10PT	11.25	15.75	F1258WRA-26PT	31.25	35.75
F1258WRA-11PT	12.50	17.00	F1258WRA-27PT	32.50	37.00
F1258WRA-12PT	13.75	18.25	F1258WRA-28PT	33.75	38.25
F1258WRA-13PT	15.00	19.50	F1258WRA-29PT	35.00	39.50
F1258WRA-14PT	16.25	20.75	F1258WRA-30PT	36.25	40.75
F1258WRA-15PT	17.50	22.00	F1258WRA-31PT	37.50	42.00
F1258WRA-16PT	18.75	23.25	F1258WRA-32PT	38.75	43.25
F1258WRA-17PT	20.00	24.50	F1258WRA-33PT	40.00	44.50
F1258WRA-18PT	21.25	25.75	F1258WRA-34PT	41.25	45.75
F1258WRA-19PT	22.50	27.00			

Unit:mm

