

Specifications

Current rating: 1A AC,DC
Voltage rating: 200V AC,DC
Temperature range: -25°C ~ +85°C
Contact resistance: 20mΩ Max.
Insulation resistance: 500MΩ Min.
Withstanding voltage: 500V AC/minute
Contact H.R for details

Ordering code

① F1257 ② WV ③ 05P

- ① Series No.
- ② Connector type: WV=Vertical
- ③ No. of circuits

① F1257 ② WR ③ 05P ④ T

- ① Series No.
- ② Connector type: WR=Right angle
- ③ No. of circuits
- ④ Option code:
T=Top contact style



F1257 SERIES

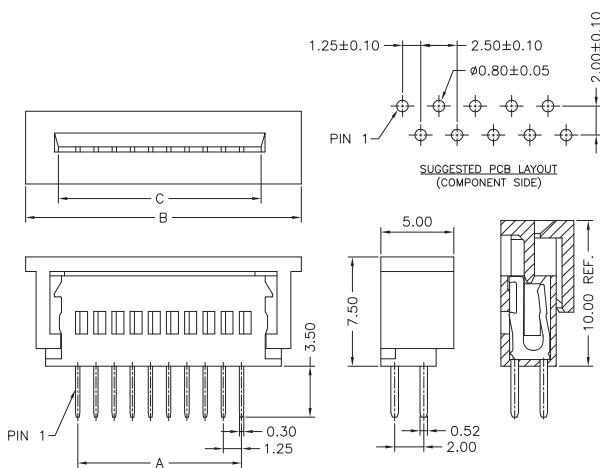
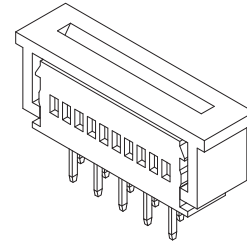
1.25mm pitch FFC/FPC connector

F1257WV

1.25mm pitch FFC/FPC 180° Connector, ZIF

Reference Informations:

- *Material: Pin: Phosphor Bronze/Tin-plated
- Housing: PBT,UL94V-0
- Actuator: PBT,UL94V-0



Ordering Information & Dimensions:

PART NO.	Dimensions			PART NO.	Dimensions		
	A	B	C		A	B	C
F1257WV-03P	2.50	10.20	5.20	F1257WV-18P	21.25	28.95	23.95
F1257WV-04P	3.75	11.45	6.45	F1257WV-19P	22.50	30.20	25.20
F1257WV-05P	5.00	12.70	7.70	F1257WV-20P	23.75	31.45	26.45
F1257WV-06P	6.25	13.95	8.95	F1257WV-21P	25.00	32.70	27.70
F1257WV-07P	7.50	15.20	10.20	F1257WV-22P	26.25	33.95	28.95
F1257WV-08P	8.75	16.45	11.45	F1257WV-23P	27.50	35.20	30.20
F1257WV-09P	10.00	17.70	12.70	F1257WV-24P	28.75	36.45	31.45
F1257WV-10P	11.25	18.95	13.95	F1257WV-25P	30.00	37.70	32.70
F1257WV-11P	12.50	20.20	15.20	F1257WV-26P	31.25	38.95	33.95
F1257WV-12P	13.75	21.45	16.45	F1257WV-27P	32.50	40.20	35.20
F1257WV-13P	15.00	22.70	17.70	F1257WV-28P	33.75	41.45	36.45
F1257WV-14P	16.25	23.95	18.95	F1257WV-29P	35.00	42.70	37.70
F1257WV-15P	17.50	25.20	20.20	F1257WV-30P	36.25	43.95	38.95
F1257WV-16P	18.75	26.45	21.45	F1257WV-31P	37.50	45.20	40.20
F1257WV-17P	20.00	27.70	22.70	F1257WV-32P	38.75	46.45	41.45

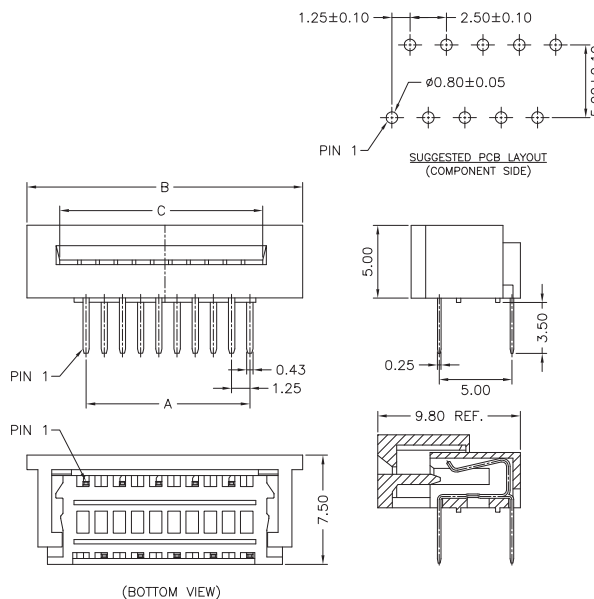
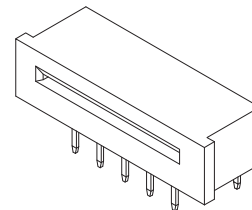
Unit:mm

F1257WR

1.25mm pitch FFC/FPC 90° Connector, ZIF, Top Contact Style

Reference Informations:

- *Material: Pin: Phosphor Bronze/Tin-plated
- Housing: PBT,UL94V-0
- Actuator: PBT,UL94V-0



Ordering Information & Dimensions:

PART NO.	Dimensions			PART NO.	Dimensions		
	A	B	C		A	B	C
F1257WR-03PT	2.50	10.20	5.20	F1257WR-18PT	21.25	28.95	23.95
F1257WR-04PT	3.75	11.45	6.45	F1257WR-19PT	22.50	30.20	25.20
F1257WR-05PT	5.00	12.70	7.70	F1257WR-20PT	23.75	31.45	26.45
F1257WR-06PT	6.25	13.95	8.95	F1257WR-21PT	25.00	32.70	27.70
F1257WR-07PT	7.50	15.20	10.20	F1257WR-22PT	26.25	33.95	28.95
F1257WR-08PT	8.75	16.45	11.45	F1257WR-23PT	27.50	35.20	30.20
F1257WR-09PT	10.00	17.70	12.70	F1257WR-24PT	28.75	36.45	31.45
F1257WR-10PT	11.25	18.95	13.95	F1257WR-25PT	30.00	37.70	32.70
F1257WR-11PT	12.50	20.20	15.20	F1257WR-26PT	31.25	38.95	33.95
F1257WR-12PT	13.75	21.45	16.45	F1257WR-27PT	32.50	40.20	35.20
F1257WR-13PT	15.00	22.70	17.70	F1257WR-28PT	33.75	41.45	36.45
F1257WR-14PT	16.25	23.95	18.95	F1257WR-29PT	35.00	42.70	37.70
F1257WR-15PT	17.50	25.20	20.20	F1257WR-30PT	36.25	43.95	38.95
F1257WR-16PT	18.75	26.45	21.45	F1257WR-31PT	37.50	45.20	40.20
F1257WR-17PT	20.00	27.70	22.70	F1257WR-32PT	38.75	46.45	41.45

Unit:mm

