

Specifications

Current rating: 0.5A AC,DC
Voltage rating: 50V AC,DC
Temperature range: -25°C ~ +85°C
Contact resistance: 30mΩ Max.
Insulation resistance: 500MΩ Min.
Withstanding voltage: 500V AC/minute
Contact H.R for details

Ordering code

① ② ③ ④ ⑤
F1022 WV A-S-XP

- ① Series No.
- ② Connector type: WV=Vertical
- ③ Blank=With pick up kapton tape
A=Without pick up kapton tape
- ④ Mounting type: S=SMT
- ⑤ Option code:



F1022WVA-S

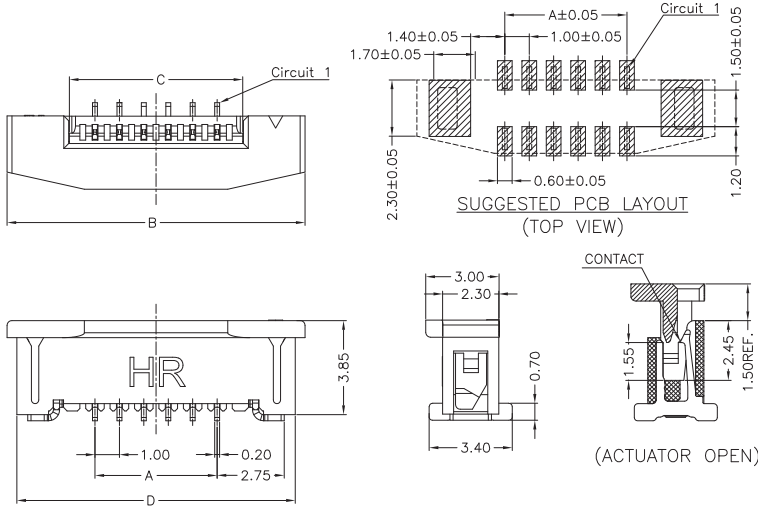
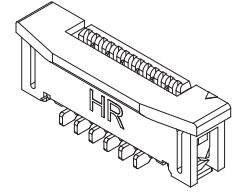
— 1.00mm pitch FFC/FPC Connector, 180° SMT TYPE, ZIF —

Reference Informations:

- *Material: Pin: Phosphor Bronze/Matte Tin-plated
- Solder Tabs: Brass/Matte Tin-plated
- Housing: LCP,UL94V-0
- Cover: Nylon 6T,UL94V-0

HP F1022WVA-S-06P N L N T1 X 00 R
 ① ② ③ ④ ⑤ ⑥ ⑦

- ① N=Halogen Free
- ② Material: L=LCP
- ③ Color: N=Natural(Beige)
- ④ Option code: T1=Matte Tin-plated
- ⑤ Option code: T=Tin-plated, G=Gold-flash
- ⑥ Option code: 00=Standard
- ⑦ Packing code: R=Tape & Reel(without Cap or Mylar)



Ordering Information & Dimensions:

PART NO.	Dimensions			
	A	B	C	D
F1022WVA-S-04P	3.00	10.20	5.10	9.40
F1022WVA-S-05P	4.00	11.20	6.10	10.40
F1022WVA-S-06P	5.00	12.20	7.10	11.40
F1022WVA-S-07P	6.00	13.20	8.10	12.40
F1022WVA-S-08P	7.00	14.20	9.10	13.40
F1022WVA-S-09P	8.00	15.20	10.10	14.40
F1022WVA-S-10P	9.00	16.20	11.10	15.40
F1022WVA-S-11P	10.00	17.20	12.10	16.40
F1022WVA-S-12P	11.00	18.20	13.10	17.40
F1022WVA-S-13P	12.00	19.20	14.10	18.40
F1022WVA-S-14P	13.00	20.20	15.10	19.40
F1022WVA-S-15P	14.00	21.20	16.10	20.40
F1022WVA-S-16P	15.00	22.20	17.10	21.40
F1022WVA-S-17P	16.00	23.20	18.10	22.40
F1022WVA-S-18P	17.00	24.20	19.10	23.40
F1022WVA-S-19P	18.00	25.20	20.10	24.40
F1022WVA-S-20P	19.00	26.20	21.10	25.40
F1022WVA-S-21P	20.00	27.20	22.10	26.40
F1022WVA-S-22P	21.00	28.20	23.10	27.40

Unit:mm