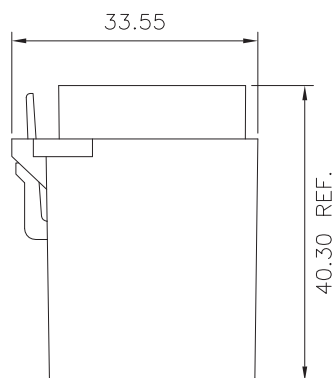


## Specifications

Current rating: 7A AC,DC  
Voltage rating: 250V AC,DC  
Temperature range: -25°C ~ +85°C  
Contact resistance: 10mΩ Max.  
Insulation resistance: 1000MΩ Min.  
Withstanding voltage: 1500V AC/minute  
\*Contact H.R for details\*

## Assembly layout



## Ordering code

① C6501    ② HF    ③ -08P    ④ -L

- ① Series No.
- ② Housing type: HF=Receptacle  
HM=Plug
- ③ No. of circuits
- ④ Option code:  
-L=Left type  
-R=Right type



# C6501 SERIES

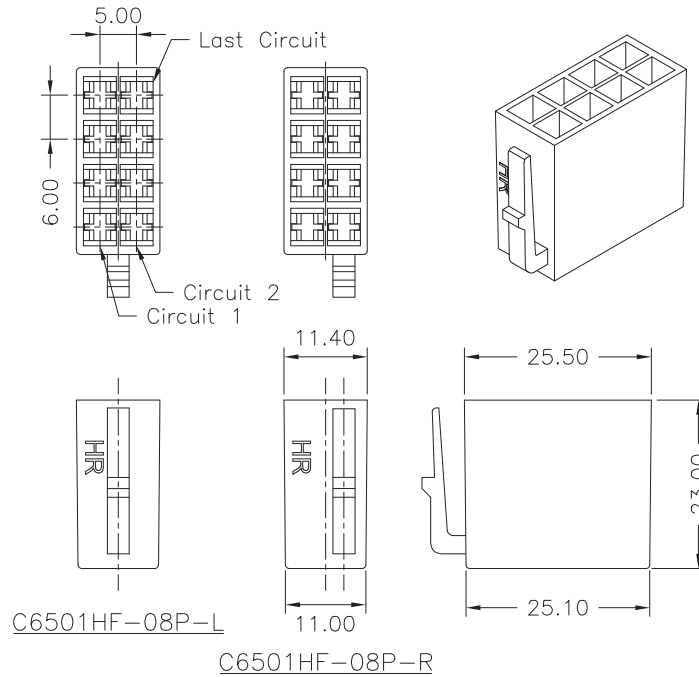
6.00-5.00mm pitch wire to wire connector

## C6501HF-08P

6.00-5.00mm pitch Housing

### Reference Informations:

- \*Material: Nylon 66,UL94V-2
- \*Suitable H.R C6500F series Terminal
- \*Mates with H.R C6500HM,C6501HM or C6502HM series Housing



## C6501HM-16P

6.00-5.00mm pitch Housing

### Reference Informations:

- \*Material: Nylon 66,UL94V-0
- \*Suitable H.R C6502M series Terminal
- \*Mates with H.R C6500HF or C6501HF series Housing

