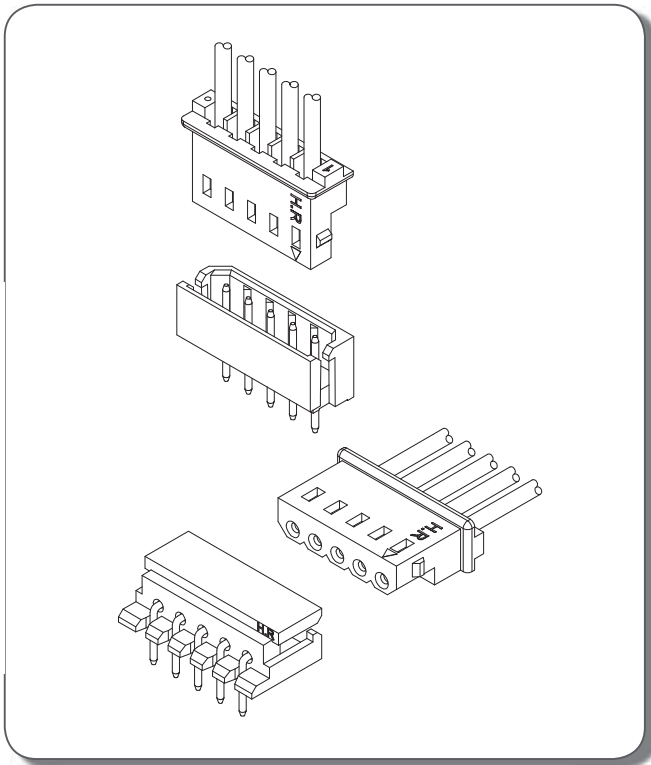




A2506 SERIES

2.50mm pitch wire to board connector



Specifications

- Current rating: 3A AC,DC
- Voltage rating: 250V AC,DC
- Temperature range: -25°C ~ +85°C
- Contact resistance: 20mΩ Max.
- Insulation resistance: 1000MΩ Min.
- Withstanding voltage: 1000V AC/minute
- *Contact H.R for details*

Standards

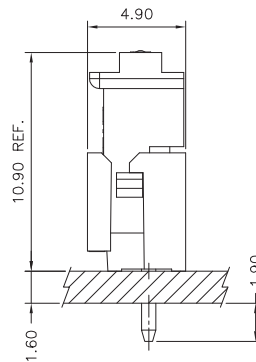
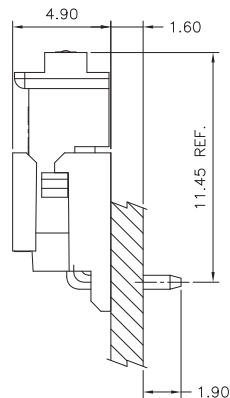


E179987



LR113464

Assembly layout



Ordering code

1 **2** **3** **4**
A2506-T P E

- 1 Series No.
- 2 Plating code: T=Tin-plated
- 3 Material: P=Phosphor bronze
- 4 E=Stamping before plating

1 **2** **3**
A2506 H-05P

- 1 Series No.
- 2 H=Housing
- 3 No. of circuits

1 **2** **3** **4**
A2506 WV-05P 6TG

- 1 Series No.
- 2 Connector type: WV=Vertical, WR=Right angle
- 3 No. of circuits
- 4 Option code:
6TG=Nylon 6T, Gold-flash



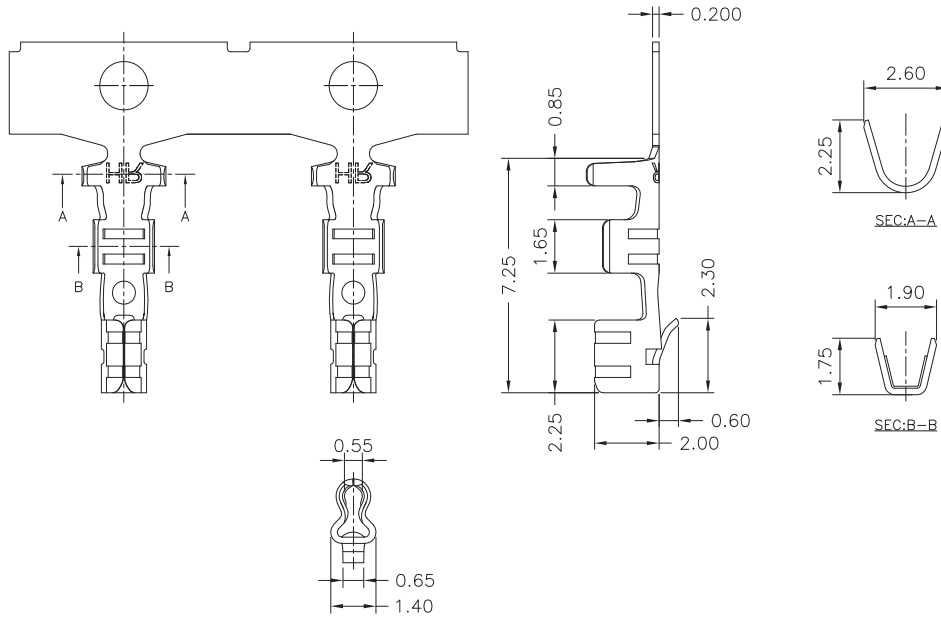
A2506 SERIES

2.50mm pitch wire to board connector

A2506-T — 2.50mm pitch Crimp Terminal

Reference Informations:

*Used in H.R A2506 series Housing



Ordering Information & Specifications:

Unit:mm

Part No.	Wire Range	Insulation O.D.	Material	Finish	Qty/reel
A2506-TPE	AWG#22-#28	1.90mm(max)	Phosphor Bronze	Tin-plated	10,000pcs

Note:E-Stamping before Tin-plated

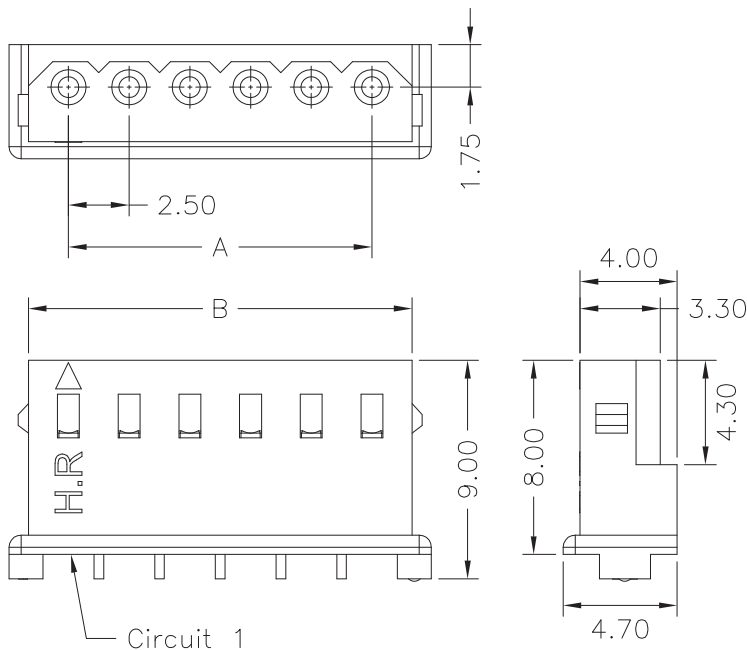
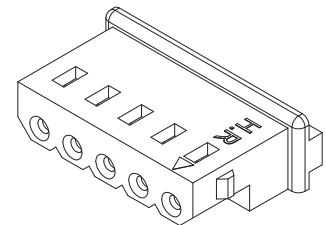
A2506H — 2.50mm pitch Housing

Reference Informations:

*Material: Nylon 66,UL94V-0

*Suitable H.R A2506 series Terminal

*Mates with H.R A2506 series Wafer



Ordering Information & Dimensions:

PART NO.	Dimensions	
	A	B
A2506H-02P	2.50	5.80
A2506H-03P	5.00	8.30
A2506H-04P	7.50	10.80
A2506H-05P	10.00	13.30
A2506H-06P	12.50	15.80
A2506H-07P	15.00	18.30
A2506H-08P	17.50	20.80
A2506H-09P	20.00	23.30
A2506H-10P	22.50	25.80
A2506H-11P	25.00	28.30
A2506H-12P	27.50	30.80
A2506H-13P	30.00	33.30
A2506H-14P	32.50	35.80
A2506H-15P	35.00	38.30
A2506H-16P	37.50	40.80

Unit:mm



A2506 SERIES

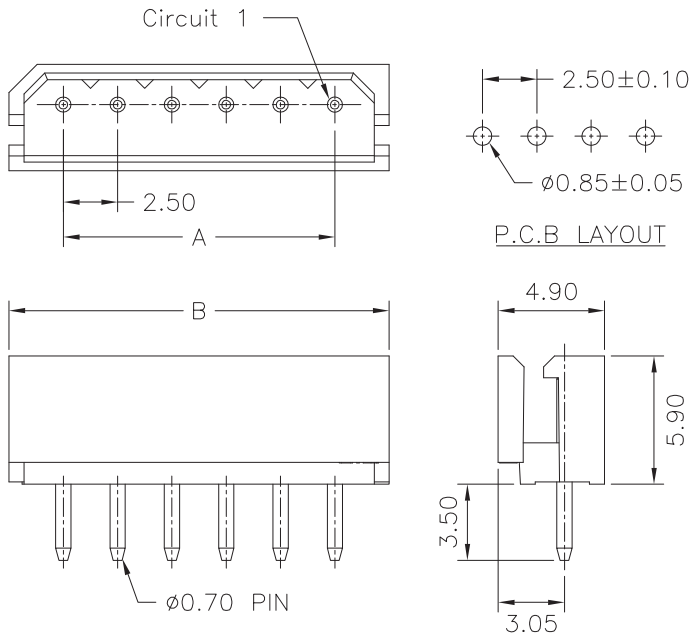
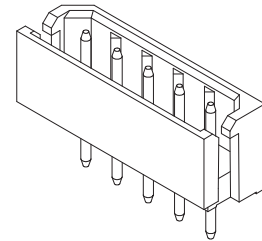
2.50mm pitch wire to board connector

A2506WV

2.50mm pitch 180° Wafer

Reference Informations:

- *Material: Pin: Brass/Tin-plated
Wafer: Nylon 66,UL94V-0
- *Mates with H.R A2506 series Housing
- *Nylon 6T is available



Ordering Information & Dimensions:

PART NO.	Dimensions	
	A	B
A2506WV-02P	2.50	7.50
A2506WV-03P	5.00	10.00
A2506WV-04P	7.50	12.50
A2506WV-05P	10.00	15.00
A2506WV-06P	12.50	17.50
A2506WV-07P	15.00	20.00
A2506WV-08P	17.50	22.50
A2506WV-09P	20.00	25.00
A2506WV-10P	22.50	27.50
A2506WV-11P	25.00	30.00
A2506WV-12P	27.50	32.50
A2506WV-13P	30.00	35.00
A2506WV-14P	32.50	37.50
A2506WV-15P	35.00	40.00
A2506WV-16P	37.50	42.50

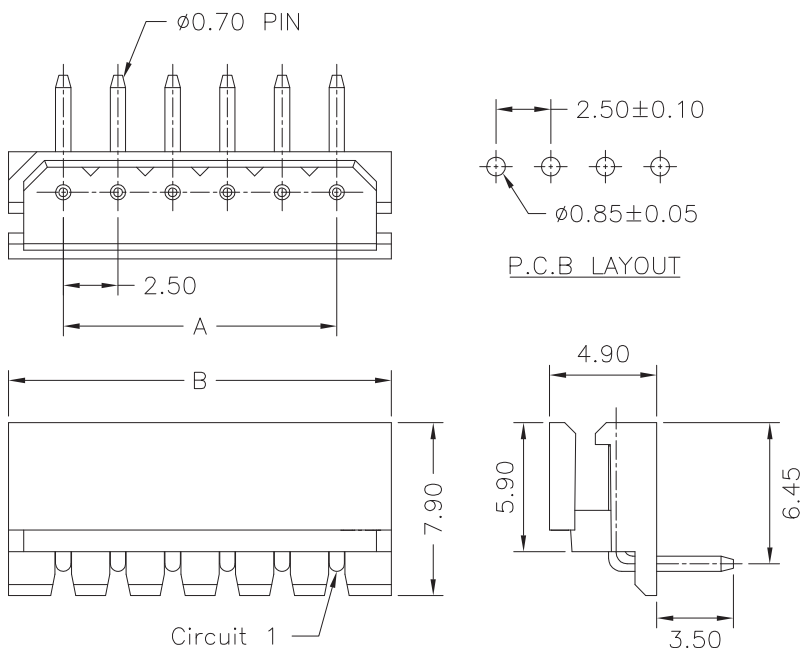
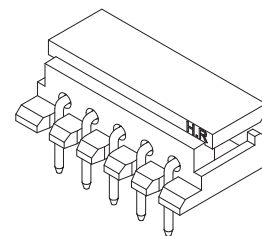
Unit:mm

A2506WR

2.50mm pitch 90° Wafer

Reference Informations:

- *Material: Pin: Brass/Tin-plated
Wafer: Nylon 66,UL94V-0
- *Mates with H.R A2506 series Housing
- *Nylon 6T is available



Ordering Information & Dimensions:

PART NO.	Dimensions	
	A	B
A2506WR-02P	2.50	7.50
A2506WR-03P	5.00	10.00
A2506WR-04P	7.50	12.50
A2506WR-05P	10.00	15.00
A2506WR-06P	12.50	17.50
A2506WR-07P	15.00	20.00
A2506WR-08P	17.50	22.50
A2506WR-09P	20.00	25.00
A2506WR-10P	22.50	27.50
A2506WR-11P	25.00	30.00
A2506WR-12P	27.50	32.50
A2506WR-13P	30.00	35.00
A2506WR-14P	32.50	37.50
A2506WR-15P	35.00	40.00
A2506WR-16P	37.50	42.50

Unit:mm