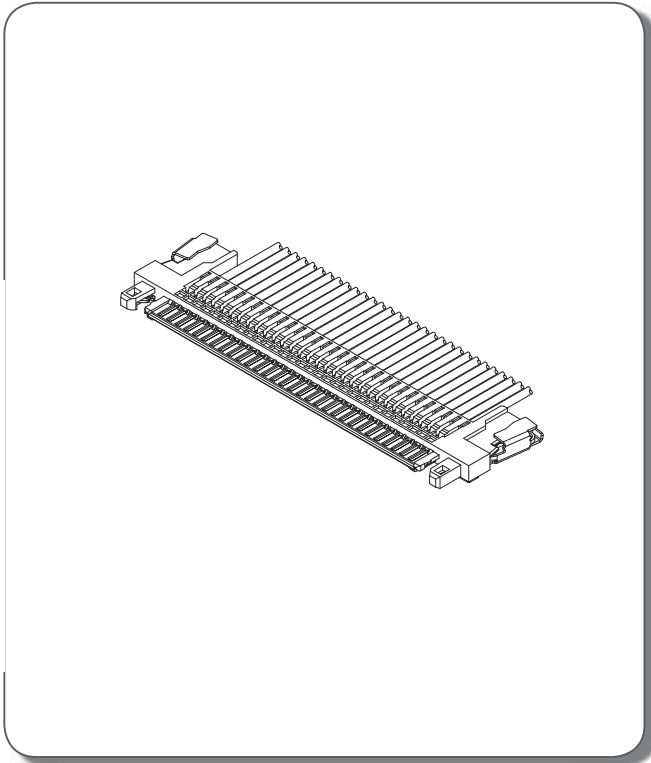




# A1008 SERIES

1.00mm pitch wire to board connector



## Specifications

---

Current rating: 1A AC,DC  
Voltage rating: 200V AC,DC  
Temperature range: -25°C ~ +85°C  
Contact resistance: 40mΩ Max.  
Insulation resistance: 100MΩ Min.  
Withstanding voltage: 500V AC/minute  
\*Contact H.R for details\*

## Standards

---



E179987

## Ordering code

①    ②    ③  
A1008 H-30P

- ① Series No.
- ② H=Housing
- ③ No. of circuits



# A1008 SERIES

1.00mm pitch wire to board connector



## A1008H-30P

1.00mm pitch Housing

### Reference Informations:

- \*Material: Housing: Nylon 46,UL94V-0  
Shell: Stainless  
Lock lever: Stainless
- \*Suitable H.R A1006 series Terminal

